

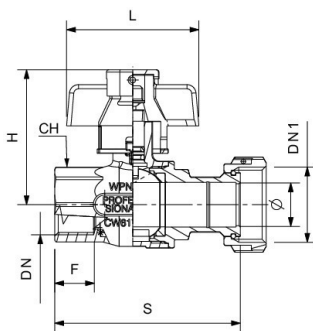


RIV 5140

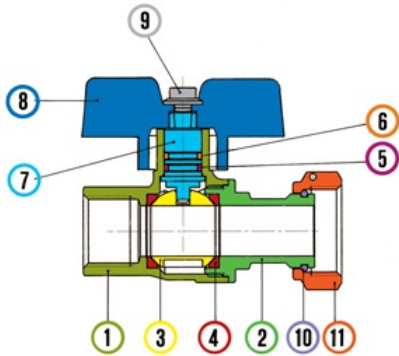
Water meter inlet ball valve F/F - with fitting for meter
full bore
Extra-Lock brass tamperproof butterfly handle

Tech drawings and tables

DN	Code	Ø	F	H	L	S	PNKGP/box	
1/2"X3/4"	025140000187	15	17	51,5	53	68,5	40	10
3/4"X1"	025140000230	20	17	58,5	58	81,5	40	10



Technical data



Materials

1	Body	Brass	Nickel-plated
2	Body end	Brass	Nickel-plated
3	Ball	Brass	Chrome-plated
4	Seats	PTFE	
5	O-Ring	FKM	
6	O-Ring	NBR	
7	Stem	Brass	
8	Butterfly handle	Aluminium	Green
9	Screw	Steel	Zinc-plated
10	Seeger	Stainless Steel	Nickel-plated
11	Swivel nut	Brass	

Connections

Female ISO 7/1Rp (parallel), Male ISO 7/1R (tapered), screwed ring ISO 228/1

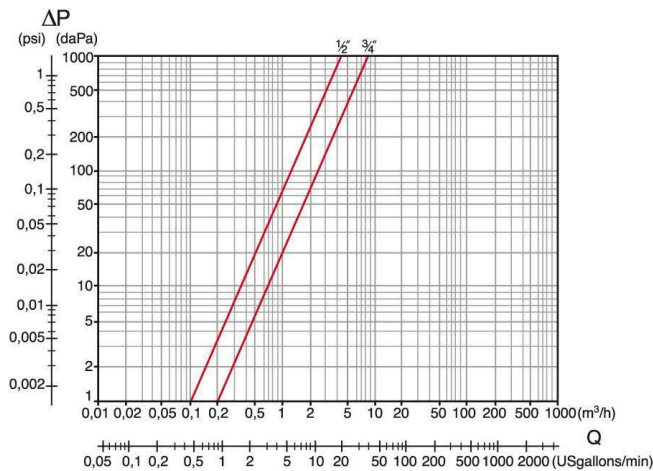
Limit

-20°C (without liquid) +110°C

Notes

The max.working pressure (PN) means at a room temperature of about 23°C.

Pressure Loss Chart



Temperature/Pressure

